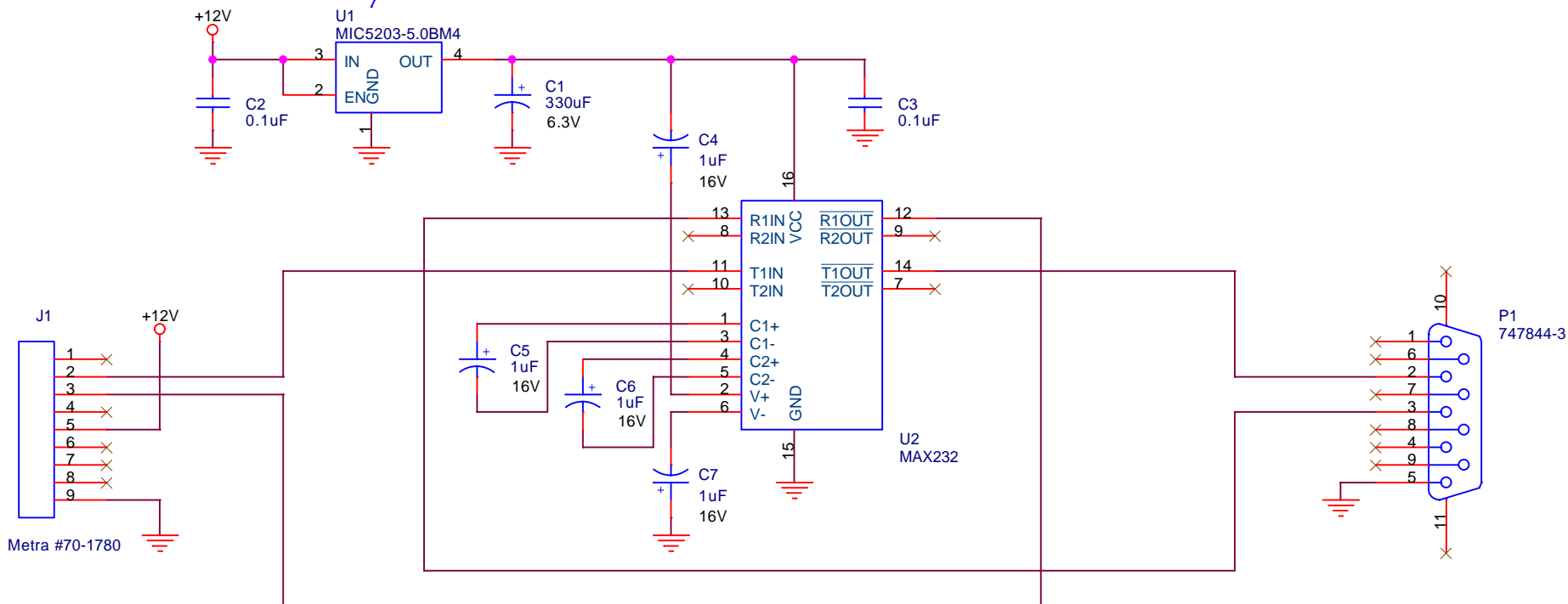


Any +5 volt regulator will work here. A MC7805 might be a better choice if you are building this by hand since the MIC5203-5 is a surface mount part.



- 1.) All resistors are 1/10W or larger
- 2.) All resistors are 5% or lower

Title		
WWW.VWRX.COM Designed by Kevin Frank		
Size	Document Number	Rev
A	RS232 Integrated Converter	B
Date:	Friday, November 10, 2006	Sheet 1 of 2